

Centre for Rural Energy

The GANDHIGRAM RURAL INSTITUTE – Deemed to be University

(Ministry of Education, Govt. of India)

Accredited by NAAC with 'A' Grade (3rd Cycle)

Gandhigram – 624 302, Dindigul District, Tamil Nadu, India.

Tel: 0451-2452371-76: Extn. 2062

Fax: 0451- 2454466, 2453071

GRI/CRE/DST/2023

02.03.2023

Quotation Call for

For and on behalf of The Gandhigram Rural Institute – Deemed to be University, Gandhigram, quotations are invited for supply and installation of Solar Dryer. Detailed Specification is enclosed as Annexure .

The terms and conditions for the quotations are as below:

- (i) Firms / Dealers should have a TIN / GST/ TNGST / PAN/ ESB number in the name of the Company and it should be printed in the Quotation form itself.
- (ii) Materials Specifications are included so kindly confirm and fulfill with our requirements which will be mentioned as Annexure
- (iii) The rate should clearly indicate the unit/nos.
- (iv) The rate should be calculated by including packing and forwarding and installation charges up to Site.
- (v) Applicable Taxes / GST should be indicated item wise clearly.
- (vi) Period of Guarantee should be specified for each material
- (vii) The nearest service point should also be indicated in the offer.
- (viii) The offer should be from ready stock.
- (ix) The mode of payment is on "CREDIT" and payment will be made within 30 days (Minimum)
- (x) Quotation should be addressed in the name of

“**The Registrar**, Gandhigram Rural Institute – Deemed to be University,
Gandhigram”

and should be sent in a sealed envelope super scribing “**Quotation for Solar Dryer**”
to reach the following address:

The Principal Investigator

DST Project

Centre for Rural Energy,

Gandhigram Rural Institute – Deemed to be University,

Gandhigram – 624 302, Dindigul Dt.

- (xi) **Hard Copy of Quotation will be received up to 3.00 p.m. on 17.03.2023**

Detailed Specification:

Size of Chamber: 7300 L × 3000 W × 1800 H (measurement in mm)

The drying chamber cover – Polycarbonate sheet reinforced with Aluminum / GI Reinforced system

Trolley: 4 nos

Trays : Perforated PVC Food Grade Size 300 × 600 × 40 ; Quantity : 30 nos

Base: 20 mm thickness concreted flooring

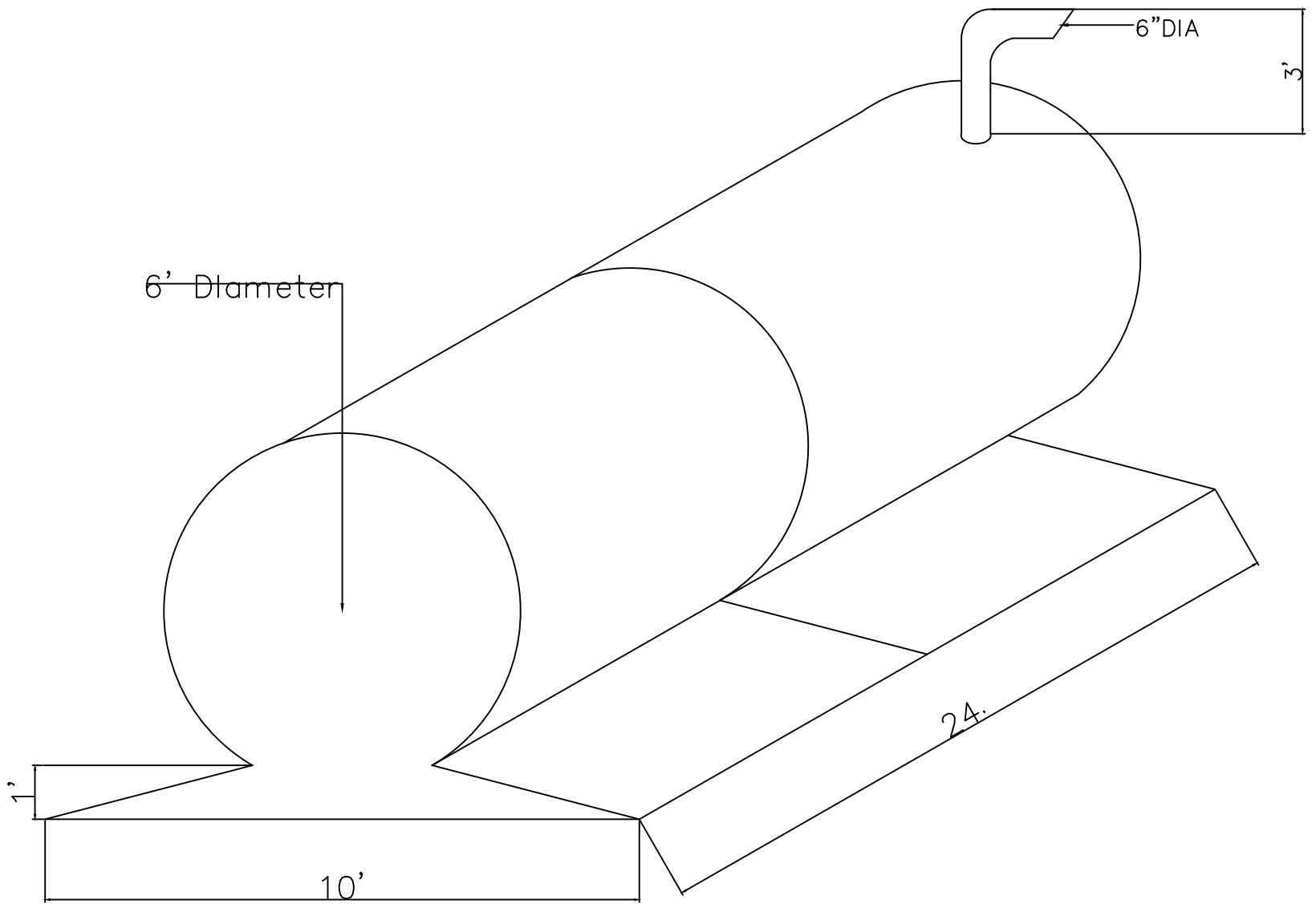
Temperature Controller / Humidity Controller

Erection and Commissioning

Transportation

Trial Run

Warranty 2 Years



Revn	Date	Remarks	Date	Desc:	
1			Drawn	Draw No:	
2			Chkd	Scale :	Not to scale
3			Apprd		